




 22 W	 1800 L	
 10 ft →	 26 ft →	 40 50
IP 64	0 dB _A	

SPECIFICATIONS

Item: PHOS 25 Outdoor
 Body: Steel / Aluminium
 Available Colours: White / Black / Silver
 Weight: 3.25 kg
 Environmental Conditions: Outdoors, Humid Indoor Environments
 Ambient Temperature: - 30° C – + 35° C
 Cooling: Passive, Cooling
 Noise Level: 0 dBA
 Light Source: 22 W High-Power LED
 Recommended Projection Distance in Normal Room Light: 2 m / 6.6 ft
 Recommended Projection Distance in Darkness: 6 m / 20 ft
 Average Lifetime of the LED (L70): 35,000 Operating Hours
 Colour Temperature: 6,300 - 6,700° Kelvin
 Luminous Flux of the LED: 1,800 Lumens
 Gobo Size / Image Size: Ø 50.0 mm / Ø 40.0 mm
 Voltage: 100 - 240 V AC / 50 - 60 Hz
 Active Power (Power Consumption): 29 W
 Efficiency: 0.5 cos. φ
 Electrical Protection: Protection Class I
 Ingress Protection Rating: IP 64
 Photobiological Safety: ICE62471:2006 EN62471:2008: RG-2
 Item Number:
 White: 20025410
 Black: 20025420
 Silver: 20025430

This weatherproof outdoor projector is equipped with the latest LED technology and is passively cooled without a fan. The lens is equipped with a special gasket, which prevents the penetration of moisture. All encapsulated electronic components are waterproof. The projector is connected via a watertight connection tube. This budget-priced entry level model is suitable for year-round outdoor use or for damp interiors. For its 22 watt High-Power LED we recommend a projection distance of 20 feet at dusk and night. The projector is especially suitable for outdoor projections on facades or portals, messages on pavements or areas in pedestrian zones – up to a diameter of about 10 feet. The projection motif (gobo) can be changed without tools.

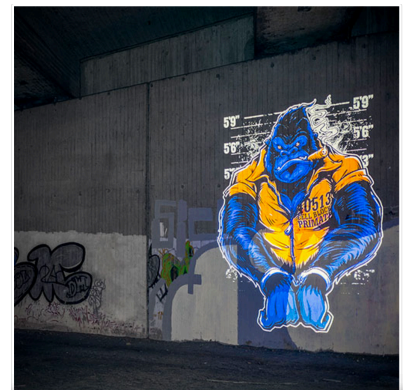
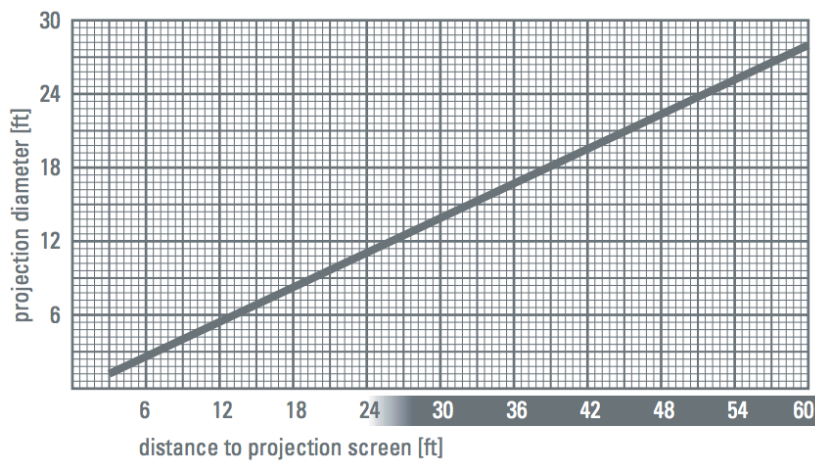


COMPONENTS

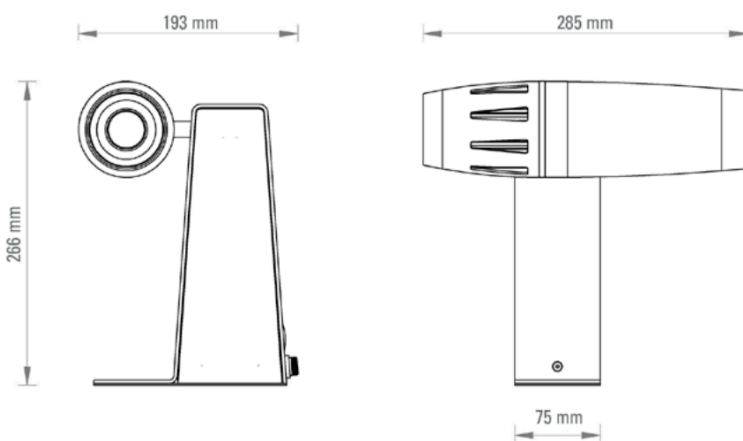
Standard series with high power LED and 85 mm standard lens. Required accessories: glass gobo with individually designed motif.

PROJECTION DIAMETER WITH INCREASING DISTANCE

Standard Lens, $f = 85 \text{ mm}$



MEASUREMENTS / DIMENSIONS

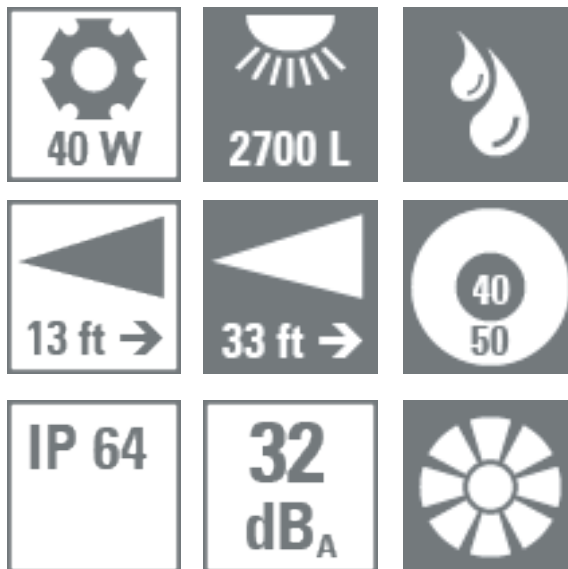


Tel: 02 9918 7225
 Mob: 0407 200 080
john@enlightening.com.au
www.enlightening.com.au

CE IP64



We reserve the right to make technical and optical modifications. Our general terms and conditions apply.



SPECIFICATIONS

Item: PHOS 45 Outdoor
 Body: Steel / Aluminium
 Available Colours: White / Black / Silver
 Weight: 3.4 kg
 Environmental Conditions: Outdoors, Humid Indoor Environments
 Ambient Temperature: - 30° C – + 35° C
 Cooling: Active Cooling, Fan
 Noise Level: 33 dBA
 Light Source: 40 W High-Power LED
 Recommended Projection Distance in Normal Room Light: 3 m / 9.8 ft
 Recommended Projection Distance in Darkness: 8 m / 26 ft
 Average Lifetime of the LED (L70): 35,000 Operating Hours
 Colour Temperature: 6,300 - 6,700° Kelvin
 Luminous Flux of the LED: 2,700 Lumens
 Gobo Size / Image Size: Ø 50.0 mm / Ø 40.0 mm
 Voltage: 100 - 240 V AC / 50 - 60 Hz
 Active Power (Power Consumption): 51 W
 Efficiency: 0.5 cos. φ
 Electrical Protection: Protection Class I
 Ingress Protection Rating: IP 64
 Photobiological Safety: ICE62471:2006 EN62471:2008: RG-2
 Item Number:
 White: 20045410
 Black: 20045420
 Silver: 20045430

The 40 watt High-Power LED of PHOS 45 outdoor is sufficiently cooled by a noise-optimised fan and provides extra power. The projector is suitable for year-round outdoor use or for damp interiors. The lens is equipped with a special gasket, which prevents the penetration of moisture. All encapsulated electronic components are waterproof. The projector is connected via a watertight connection tube. The recommended projection distance at dusk and night is up to 26 feet. PHOS 45 outdoor is especially suitable for outdoor projections on facades or portals, messages on pavements or areas in pedestrian zones – up to a diameter of about 13 feet. The projection motif (gobo) can be changed without tools.

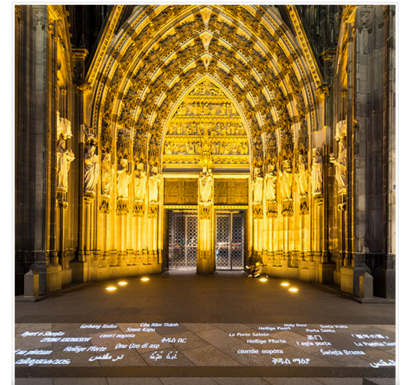
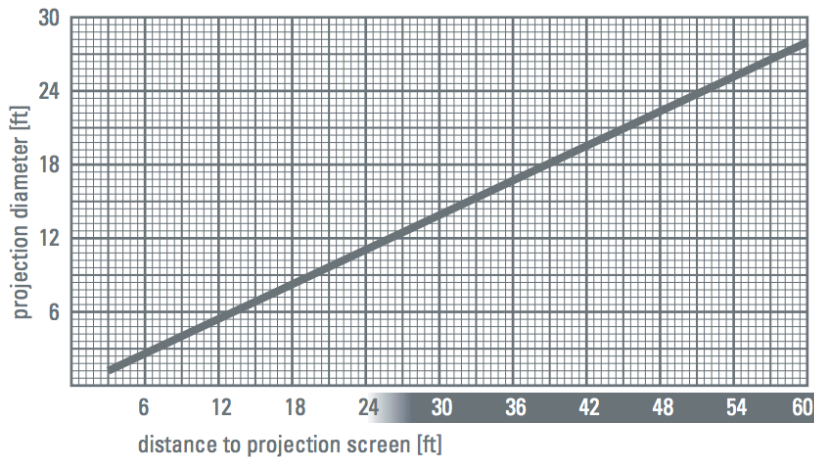


COMPONENTS

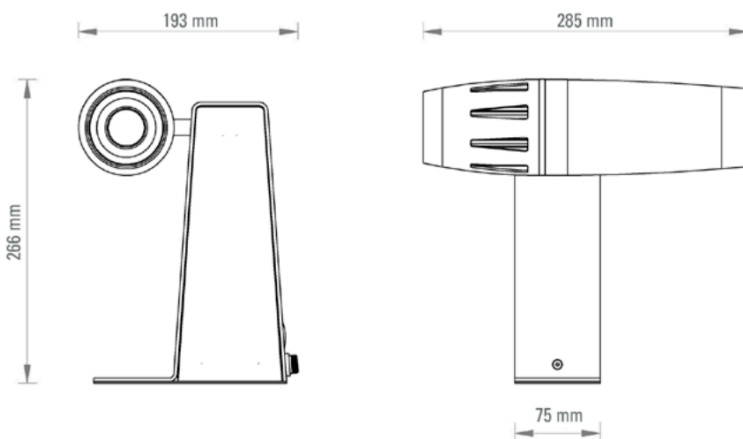
Standard series with high power LED and 85 mm standard lens. Required accessories: glass gobo with individually designed motif.

PROJECTION DIAMETER WITH INCREASING DISTANCE

Standard Lens, $f = 85 \text{ mm}$



MEASUREMENTS / DIMENSIONS



Tel: 02 9918 7225

Mob: 0407 200 080

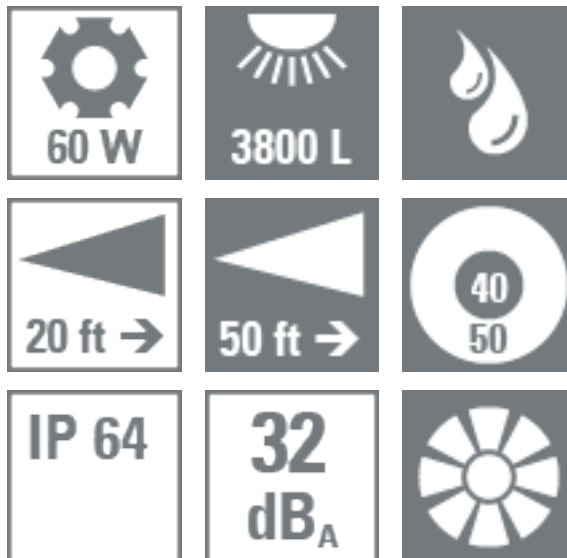
john@enlightening.com.au

www.enlightening.com.au

CE IP64



We reserve the right to make technical and optical modifications. Our general terms and conditions apply.



SPECIFICATIONS

Item:	PHOS 65 Outdoor
Body:	Steel / Aluminium
Available Colours:	White / Black / Silver
Weight:	3.4 kg
Environmental Conditions:	Outdoors, Humid Indoor Environments
Ambient Temperature:	- 30° C – + 35° C
Cooling:	Active Cooling, Fan
Noise Level:	33 dBA
Light Source:	60 W High-Power LED
Recommended Projection Distance in Normal Room Light:	4 m / 13 ft
Recommended Projection Distance in Darkness:	10 m / 33 ft
Average Lifetime of the LED (L70):	25,000 Operating Hours
Colour Temperature:	6,300 - 6,700° Kelvin
Luminous Flux of the LED:	3,800 Lumens
Gobo Size / Image Size:	Ø 50.0 mm / Ø 40.0 mm
Voltage:	100 - 240 V AC / 50 - 60 Hz
Active Power (Power Consumption):	62 W
Efficiency:	0.8 cos. φ
Electrical Protection:	Protection Class I
Ingress Protection Rating:	IP 64
Photobiological Safety:	ICE62471:2006 EN62471:2008: RG-2
Item Number:	
White:	20065410
Black:	20065420
Silver:	20065430

The 60 watt, air-cooled High-Power LED of PHOS 65 outdoor provides outstanding brightness, which guarantees a brilliant and crisp projection in almost any situation. PHOS 65 outdoor is the optimal solution, when projecting on coloured or dark surfaces or when colourful artworks are to be displayed. The projector is suitable for damp interiors or year-round outdoor use. The maximum projection distance is 13 feet in normal room lighting and 33 feet at dusk and night. Recommended application are: projections on facades or architectural elements, messages on pavements. Also vegetation and parks can be used as projection screen. The projection motif (gobo) can be changed without tools.

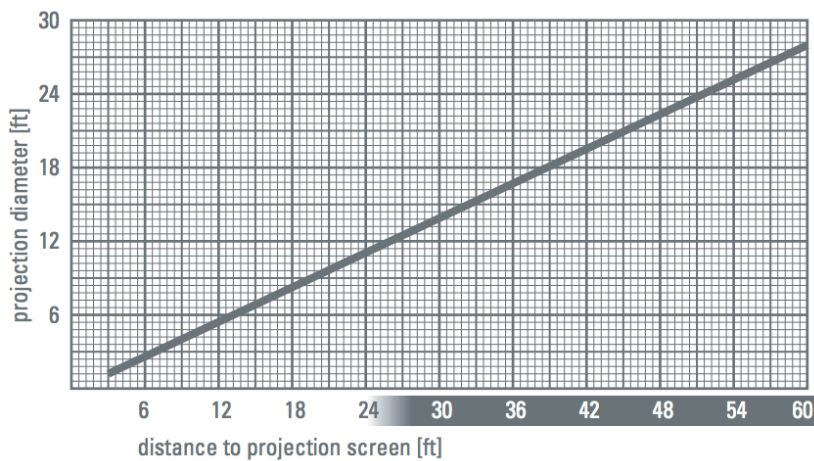


COMPONENTS

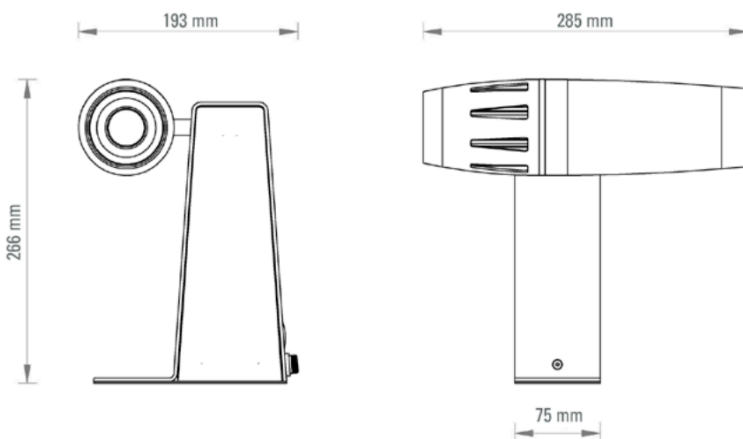
Standard series with high power LED and 85 mm standard lens. Required accessories: glass gobo with individually designed motif.

PROJECTION DIAMETER WITH INCREASING DISTANCE

Standard Lens, $f = 85 \text{ mm}$



MEASUREMENTS / DIMENSIONS

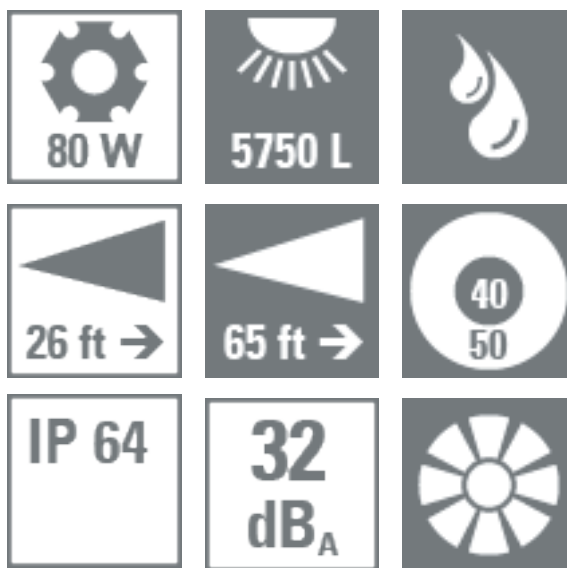


Tel: 02 9918 7225
 Mob: 0407 200 080
john@enlightening.com.au
www.enlightening.com.au

CE IP64



We reserve the right to make technical and optical modifications. Our general terms and conditions apply.



SPECIFICATIONS

Item:	PHOS 85 Outdoor
Body:	Steel / Aluminium
Available Colours:	White / Black / Silver
Weight:	3.55 kg
Environmental Conditions:	Outdoors, Humid Indoor Environments
Only Ambient Temperature:	- 30° C – + 35° C
Cooling:	Active Cooling, Fan
Noise Level:	33 dBA
Light Source:	80 W High-Power LED
Recommended Projection Distance in Normal Room Light:	5 m / 16 ft
Recommended Projection Distance in Darkness:	15 m / 50 ft
Average Lifetime of the LED (L70):	25,000 Operating Hours
Colour Temperature:	6,300 - 6,700° Kelvin
Luminous Flux of the LED:	5,750 Lumens
Gobo Size / Image Size:	Ø 50.0 mm / Ø 40.0 mm
Voltage:	100 - 240 V AC / 50 - 60 Hz
Active Power (Power Consumption):	92 W
Efficiency:	0.58 cos. φ
Electrical Protection:	Protection Class I
Ingress Protection Rating:	IP 64
Photobiological Safety:	ICE62471:2006 EN62471:2008: RG-2
Item Number:	
White:	20085410
Black:	20085420
Silver:	20085430

PHOS 85 outdoor is the most powerful outdoor system and its 80 watt, air-cooled High-Power LED provides uncompromising brightness, which guarantees a brilliant and crisp projection in almost any situation. PHOS 85 outdoor is the optimal solution, when projecting on coloured or dark surfaces or when colourful artworks are to be displayed. The projector is suitable for damp interiors or year-round outdoor use. The maximum projection distance is 16 feet in normal room lighting and 50 feet at dusk and night. Recommended application are: projections on facades or architectural elements, messages on pavements. Also vegetation and parks can be used as projection screen. The projection motif (gobo) can be changed without tools.

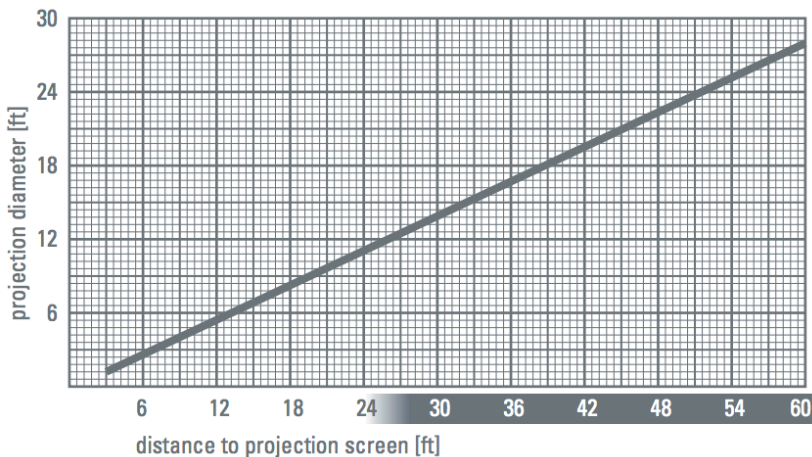


COMPONENTS

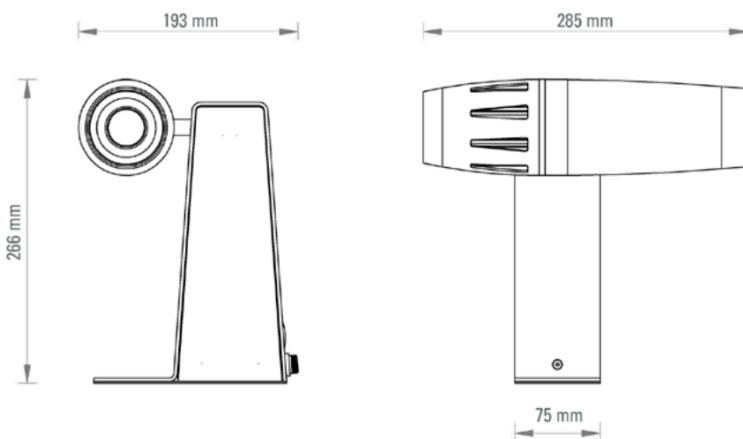
Standard series with high power LED and 85 mm standard lens. Required accessories: glass gobo with individually designed motif.

PROJECTION DIAMETER WITH INCREASING DISTANCE

Standard Lens, $f = 85 \text{ mm}$



MEASUREMENTS / DIMENSIONS



Tel: 02 9918 7225

Mob: 0407 200 080

john@enlightening.com.au

www.enlightening.com.au

CE IP64



We reserve the right to make technical and optical modifications. Our general terms and conditions apply.