



SPECIFICATIONS

Item:	PHOS 25 Downlight
Body:	Steel / Aluminium
Available Colours:	White / Black / Silver
Weight:	3.65 kg
Ballast:	External Ballast Included
Environmental Conditions:	For Dry Indoor Environments Only
Ambient Temperature:	- 30° C – + 35° C
Cooling:	Passive, Cooling
Noise Level:	0 dBA
Light Source:	22 W High-Power LED
Recommended Projection Distance in Normal Room Light:	2.2 m / 6.6 ft
Recommended Projection Distance in Darkness:	6 m / 20 ft
Average Lifetime of the LED (L70):	35,000 Operating Hours
Colour Temperature:	6,300 - 6,700° Kelvin
Luminous Flux of the LED:	1,800 Lumens
Gobo Size / Image Size:	Ø 50.0 mm / Ø 40.0 mm
Voltage:	220 - 240 V AC / 50 - 60 Hz
Active Power (Power Consumption):	25 W
Efficiency:	0.6 cos. φ
Electrical Protection:	Protection Class I
Ingress Protection Rating:	IP 20
Photobiological Safety:	ICE62471:2006 EN62471:2008: RG-2
Item Number:	
White:	20025310
Black:	20025320
Silver:	20025330

PHOS 25 downlight is equipped with the latest LED technology and is passively cooled without a fan. This budget-priced entry level model is suitable for dry indoor environments and can be unobtrusively installed in false ceilings. For its 22 watt High-Power LED we recommend a projection distance of 6.6 feet in normal room lighting. The projector is perfect for applications in small shops, doctors' offices and chemist's shops, where an energy efficient operation is essential. The included electronic ballast is placed in the false ceiling. The projection motif (gobo) can be changed without tools.

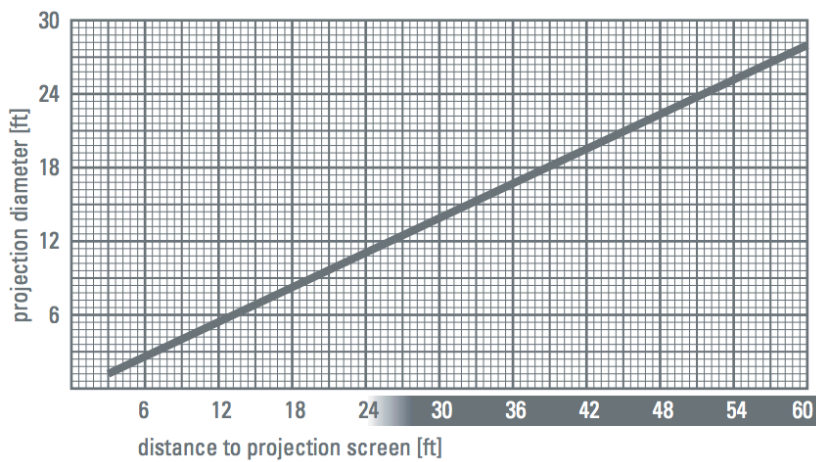


COMPONENTS

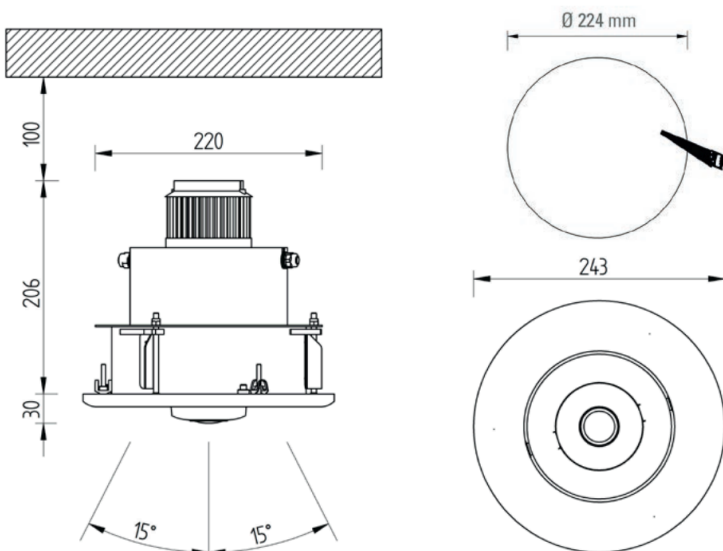
Standard series with high power LED and 85 mm standard lens. Required accessories: glass gobo with individually designed motif.

PROJECTION DIAMETER WITH INCREASING DISTANCE

Standard Lens, $f = 85 \text{ mm}$



MEASUREMENTS / DIMENSIONS



Tel: 02 9918 7225

Mob: 0407 200 080

john@enlightening.com.au

www.enlightening.com.au

CE IP 20



We reserve the right to make technical and optical modifications. Our general terms and conditions apply.



Enlightening

PHOS 45 Downlight LED PROJECTOR



SPECIFICATIONS

Item:	PHOS 45 Downlight
Body:	Steel / Aluminium
Available Colours:	White / Black / Silver
Weight:	3.8 kg
Ballast:	External Ballast Included
Environmental Conditions:	For Dry Indoor Environments Only
Ambient Temperature:	- 30° C – + 35° C
Cooling:	Active Cooling, Fan
Noise Level:	14 dBA
Light Source:	40 W High-Power LED
Recommended Projection Distance in Normal Room Light:	3 m / 9.8 ft
Recommended Projection Distance in Darkness:	8 m / 26 ft
Average Lifetime of the LED (L70):	35,000 Operating Hours
Colour Temperature:	6,300 - 6,700° Kelvin
Luminous Flux of the LED:	2,700 Lumens
Gobo Size / Image Size:	Ø 50.0 mm / Ø 40.0 mm
Voltage:	220 - 240 V AC / 50 - 60 Hz
Active Power (Power Consumption):	43 W
Efficiency:	0.85 cos. φ
Electrical Protection:	Protection Class I
Ingress Protection Rating:	IP 20
Photobiological Safety:	ICE62471:2006 EN62471:2008: RG-2
Item Number:	
White:	20045310
Black:	20045320
Silver:	20045330

The 40 watt High-Power LED of PHOS 45 downlight is sufficiently cooled by a noise-optimised fan and provides extra power. The device is suitable for dry indoor environments and can be unobtrusively installed in false ceilings. Despite its compact design, the projector delivers superior brightness: The recommended projection distance in normal room lighting is 10 feet, in darkness up to 26 feet. PHOS 45 downlight is recommended for environments like salesrooms, service halls, trade fairs and museums. The included electronic ballast is placed in the false ceiling. The projection motif (gobo) can be changed without tools.

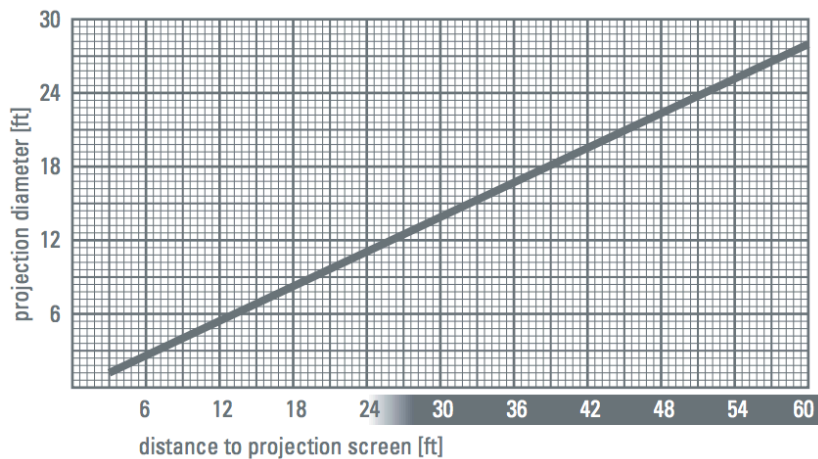


COMPONENTS

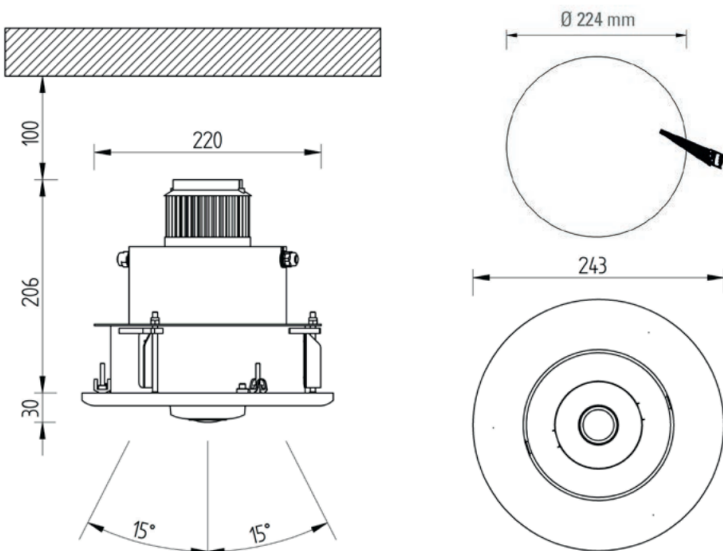
Standard series with high power LED and 85 mm standard lens. Required accessories: glass gobo with individually designed motif.

PROJECTION DIAMETER WITH INCREASING DISTANCE

Standard Lens, $f = 85 \text{ mm}$



MEASUREMENTS / DIMENSIONS



Tel: 02 9918 7225
Mob: 0407 200 080

john@enlightening.com.au
www.enlightening.com.au

CE IP 20



We reserve the right to make technical and optical modifications. Our general terms and conditions apply.



SPECIFICATIONS

Item:	PHOS 65 Downlight
Body:	Steel / Aluminium
Available Colours:	White / Black / Silver
Weight:	3.9 kg
Ballast:	External Ballast Included
Environmental Conditions:	For Dry Indoor Environments Only
Ambient Temperature:	- 30° C – + 35° C
Cooling:	Active Cooling, Fan
Noise Level:	14 dBA
Light Source:	60 W High-Power LED
Recommended Projection Distance in Normal Room Light:	4 m / 13 ft
Recommended Projection Distance in Darkness:	10 m / 33 ft
Average Lifetime of the LED (L70):	25,000 Operating Hours
Colour Temperature:	6,300 - 6,700° Kelvin
Luminous Flux of the LED:	3,800 Lumens
Gobo Size / Image Size:	Ø 50.0 mm / Ø 40.0 mm
Voltage:	220 - 240 V AC / 50 - 60 Hz
Active Power (Power Consumption):	62 W
Efficiency:	0.8 cos. φ
Electrical Protection:	Protection Class I
Ingress Protection Rating:	IP 20
Photobiological Safety:	ICE62471:2006 EN62471:2008: RG-2
Item Number:	
White:	20065310
Black:	20065320
Silver:	20065330

The 60 watt High-Power LED of PHOS 65 downlight provides outstanding brightness, which guarantees a brilliant and crisp projection in almost any situation. It is the optimal solution, when the ambient light is brighter, when projecting on coloured or dark surfaces or when colourful artworks are to be displayed. The device is equipped with a noise-optimised fan which dissipates the heat of the heat sink. PHOS 65 downlight is suitable for dry interiors and can be unobtrusively installed in false ceilings. The maximum projection distance is 13 feet in normal room lighting and 33 feet in darkness. Recommended locations include: museums, trade fairs, shopping malls or large lobbies. The included electronic ballast is placed in the false ceiling. The projection motif (gobo) can be changed without tools.

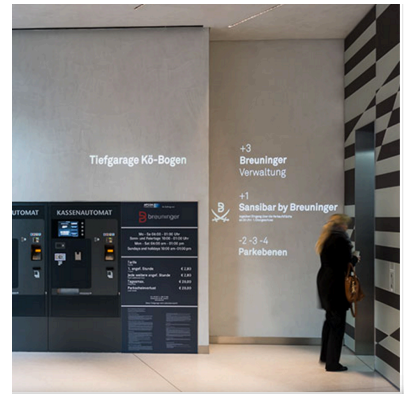
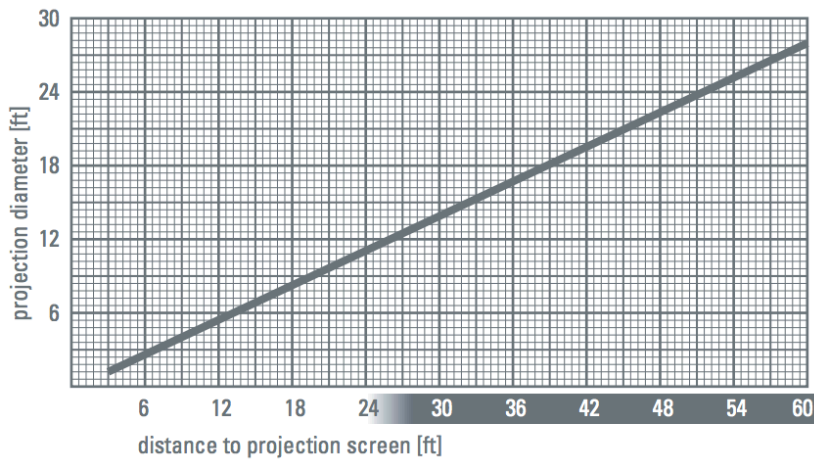


COMPONENTS

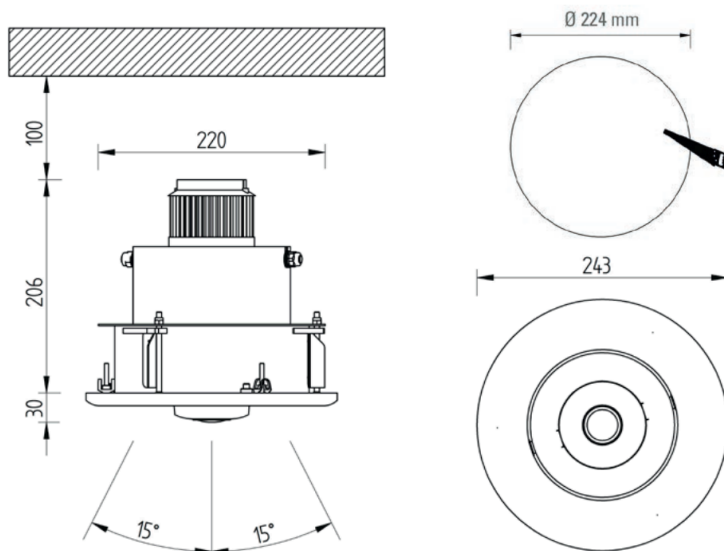
Standard series with high power LED and 85 mm standard lens. Required accessories: glass gobo with individually designed motif.

PROJECTION DIAMETER WITH INCREASING DISTANCE

Standard Lens, $f = 85 \text{ mm}$



MEASUREMENTS / DIMENSIONS



Tel: 02 9918 7225
Mob: 0407 200 080

john@enlightening.com.au
www.enlightening.com.au

CE IP 20

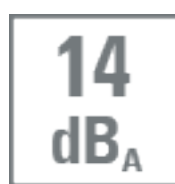
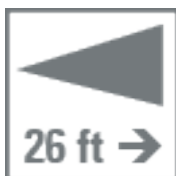


We reserve the right to make technical and optical modifications. Our general terms and conditions apply.



Enlightening

PHOS 85 Downlight LED PROJECTOR



SPECIFICATIONS

Item:	PHOS 85 Downlight
Body:	Steel / Aluminium
Available Colours:	White / Black / Silver
Weight:	3.9 kg
Ballast:	External Ballast Included
Environmental Conditions:	For Dry Indoor Environments Only
Ambient Temperature:	- 30° C – + 35° C
Cooling:	Active Cooling, Fan
Noise Level:	16 dBA
Light Source:	80 W High-Power LED
Recommended Projection Distance in Normal Room Light:	5 m / 16 ft
Recommended Projection Distance in Darkness:	15 m / 50 ft
Average Lifetime of the LED (L70):	25,000 Operating Hours
Colour Temperature:	6,300 - 6,700° Kelvin
Luminous Flux of the LED:	5,750 Lumens
Gobo Size / Image Size:	Ø 50.0 mm / Ø 40.0 mm
Voltage:	220 - 240 V AC / 50 - 60 Hz
Active Power (Power Consumption):	92 W
Efficiency:	0.9 cos. φ
Electrical Protection:	Protection Class I
Ingress Protection Rating:	IP 20
Photobiological Safety:	ICE62471:2006 EN62471:2008: RG-2
Item Number:	
White:	20085310
Black:	20085320
Silver:	20085330

PHOS 85 downlight is the most powerful top model and its 80 watt High-Power LED provides uncompromising brightness, which guarantees a brilliant and crisp projection in almost any situation. It is the optimal solution, when the ambient light is brighter, when projecting on coloured or dark surfaces or when colourful artworks are to be displayed. The device is equipped with a noise-optimised fan which dissipates the heat of the heat sink. PHOS 85 downlight is suitable for dry interiors and can be unobtrusively installed in false ceilings. The maximum projection distance is 16 feet in normal room lighting and 50 feet in darkness. Recommended locations include: museums, trade fairs, shopping malls or large lobbies. The included electronic ballast is placed in the false ceiling. The projection motif (gobo) can be changed without tools.

We reserve the right to make technical and optical modifications. Our general terms and conditions apply.

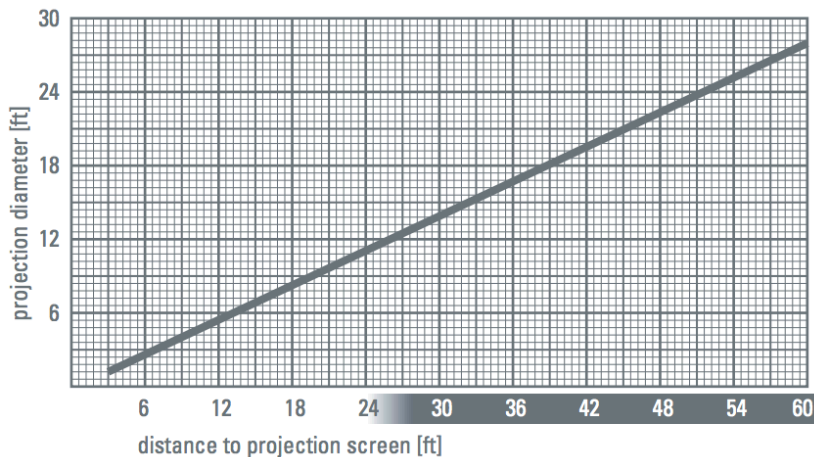


COMPONENTS

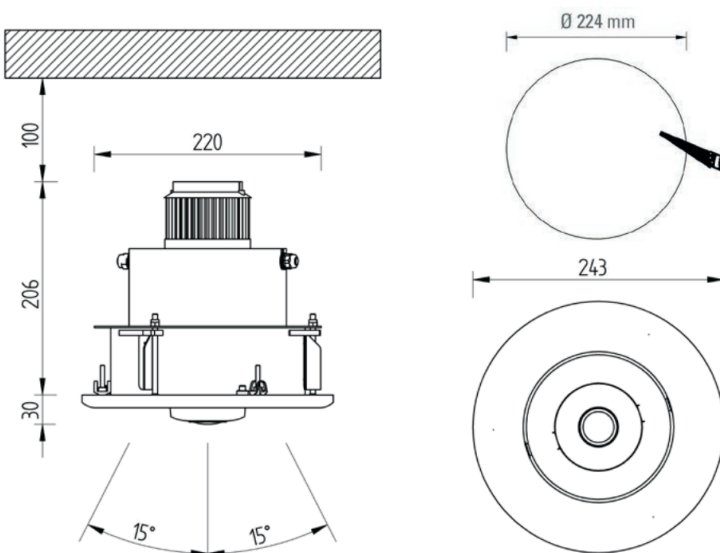
Standard series with high power LED and 85 mm standard lens. Required accessories: glass gobo with individually designed motif.

PROJECTION DIAMETER WITH INCREASING DISTANCE

Standard Lens, $f = 85 \text{ mm}$



MEASUREMENTS / DIMENSIONS



Tel: 02 9918 7225

Mob: 0407 200 080

john@enlightening.com.au

www.enlightening.com.au

CE IP 20



We reserve the right to make technical and optical modifications. Our general terms and conditions apply.